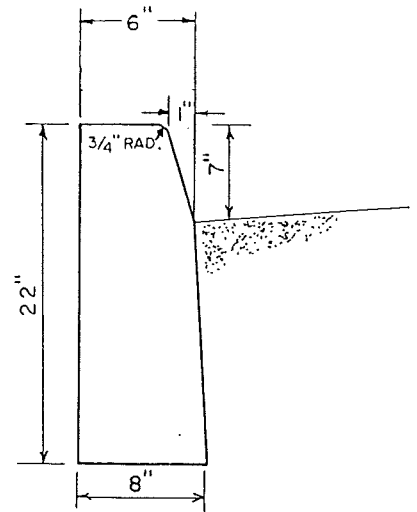
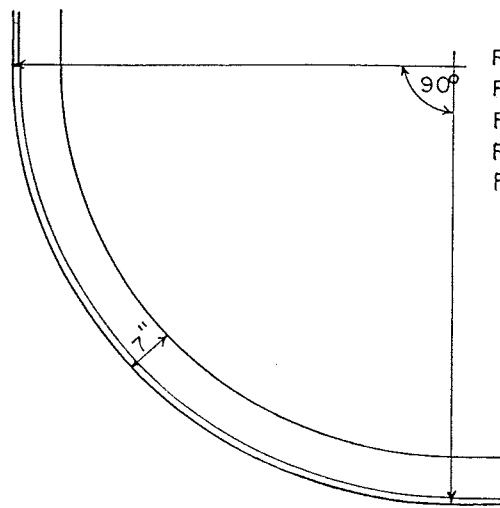


ROLLED CURB AND GUTTER
TYPICAL SECTION



STRAIGHT CURB
TYPICAL SECTION



RADIUS 12'	ARC = 18' - 10 1/4"
RADIUS 10'	ARC = 15' - 8 1/2"
RADIUS 9'	ARC = 14' - 1 5/8"
RADIUS 8'	ARC = 12' - 6 7/8"
RADIUS 6'	ARC = 9' - 5"

PLAN - CONCRETE CURB RADII

NOTE:

(1) Provide 1/2" expansion joints every 20 linear feet, at points of tangency to radii, and between back face of curb and all other structures.

BOROUGH OF MACUNGIE
LEHIGH COUNTY, PENNSYLVANIA

CURB CONSTRUCTION DETAILS