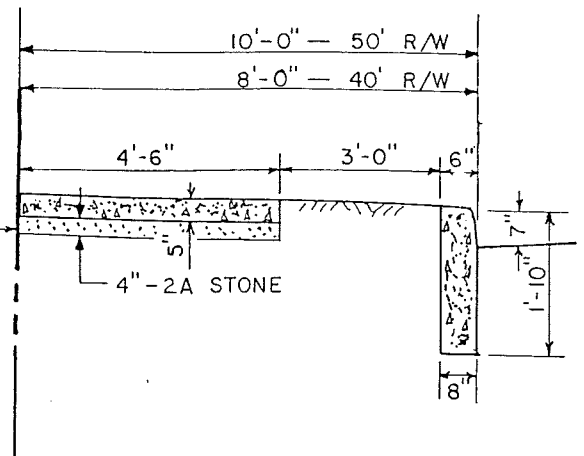
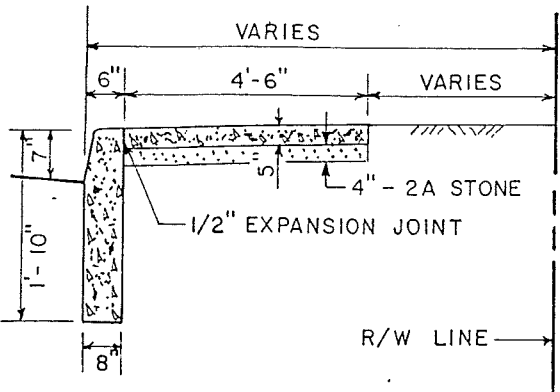


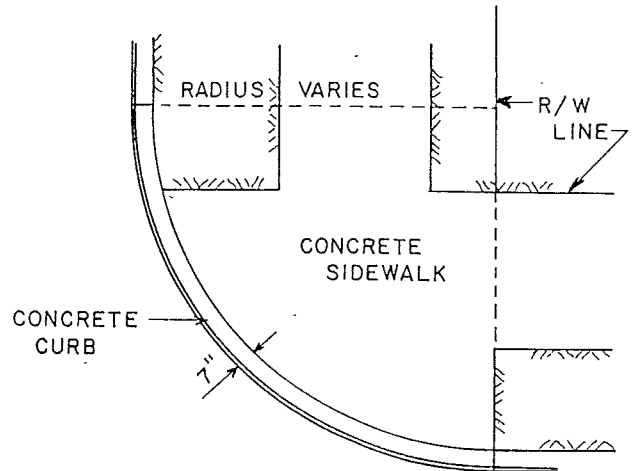
**ARTERIAL &  
COLLECTOR STREET**  
(RIGHT OF WAY: 74 FEET WIDE MAX.  
& 60 FEET WIDE MIN.)



**LOCAL STREET**  
(RIGHT OF WAY: 50 FEET WIDE MAX.)



**OTHER STREETS**  
(RIGHT OF WAY WIDTH VARIES)



**PLAN - CONCRETE SIDEWALKS**

**NOTES:**

1. Provide  $\frac{1}{2}$ " expansion joints every 20 feet.
2. Score sidewalk every 5 linear feet along 5' wide sidewalks, every 4'-6" along sidewalks 4'-6" wide.
3. Provide 4" PennDOT No. 2A crushed stone base beneath all sidewalks.
4. Slope all pavements  $\frac{1}{4}$ " per foot from right-of-way line to curb line.
5. Refer to Official Borough Map and Ordinances for all street classifications and locations.

**BOROUGH OF MACUNGIE**  
**LEHIGH COUNTY, PENNSYLVANIA**

**SIDEWALK CONSTRUCTION DETAILS**